

# **WOODS**

## **DUAL SPINDLE SLASHERS**

[woodsequipment.com.au](http://woodsequipment.com.au)

**QUALITY MACHINES  
BUILT FOR EFFICIENCY  
AND DURABILITY**

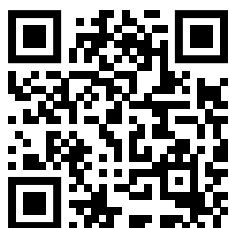
**A SLASHER IS NOT JUST A SLASHER**



# DUAL SPINDLE SLASHERS

## Table of Contents

<b>Woods Features &amp; Benefits</b> .....	<b>2</b>
<b>Dual Spindle Features &amp; Benefits</b> .....	<b>3</b>
<b>Standard Duty Dual Spindle Series</b> .....	<b>5</b>
DS8.30W	
MDS8.30W	
DS10.40W	
MDS10.40W	
<b>Specifications Table</b> .....	<b>6</b>
<b>Heavy Duty Dual Spindle Series</b> .....	<b>7</b>
DS8.50W	
MDS8.50W	
DS10.50W	
MDS10.50W	
DS12.50W	
MDS12.50W	
<b>Specifications Table</b> .....	<b>8</b>
<b>Heavy Duty Offset Dual Spindle Series</b> .....	<b>9</b>
DSO8.50W	
DSO10.50W	
<b>Specifications Table</b> .....	<b>10</b>
<b>Industry Leading Side Throw Series</b> .....	<b>11</b>
<b>Quick Reference Specifications Table</b> .....	<b>13</b>



Since 1946 Woods have been manufacturing Woods Equipment in Oregon, Illinois. Woods are American made with American steel - quality machines built to last.

### Woods in Australia

TISCA (Tractor Implement Supply Company of Australia Pty Ltd) have been importing Woods equipment for over 15 years. TISCA also manufactures side throw options for all Woods slashers in Australia.

### Find a Woods Dealer

Woods Equipment is distributed through a network of authorised dealers. To find your nearest dealer visit us at [woodsequipment.com.au](http://woodsequipment.com.au) or call (07) 5441 5677

# A SLASHER IS NOT JUST A SLASHER

About Woods - Exclusive Features	Why Woods?
Made in USA with American Steel	Quality product, quality inputs, made to last
Change blades from above machine	Highest OH&S rating for operators for all slashers
Light hand tools required to change blades	No need for oxy, grinders or rattle guns - change blades roadside
Change blades within minutes - Quick Change Blades system	Reduction in costly downtime
4x stronger blade pin 38mm compared to 19mm bolt on standard slashers	Increased strength of blades when slashing
Built on complete subframe	Deck has increased integrity and durability in all slashing conditions
Stump jumping disc	Protect gearbox, full 360° rotation of blades to minimise impact when slashing
Does not leave a windrow	Clean distribution of material, reduced risk, efficient material management
10-year gearbox warranty	Reliable product backed by leading warranty

**"THE WOODS DUAL SPINDLE SLASHER IS UNBEATABLE IN ITS FIELD. IT HANDLES A LARGE VOLUME OF MATERIAL WITH LOW RUNNING COSTS. WOODS ARE RELIABLE MACHINES, DESIGNED FOR DURABILITY AND EFFICIENCY."**

**Steve Roberts**  
Grazier & Woods Owner



**DSO10.50W**

# A SLASHER IS NOT JUST A SLASHER

Woods Dual Spindle Slashers are available from an 2.4m (8ft) cut to a 3.6m (12ft) cut in standard duty and heavy-duty options. A heavy-duty dual spindle Woods slasher will cut material up to 76mm (3") in diameter. The Dual Spindle Series are available in both linkage or drawbar options. The Woods Dual Spindle Series also features a hydraulic heavy-duty offset dual spindle in both an 2.4m (8ft) and 3m (10ft) cut.

The Woods Dual Spindle slashers have a comparable output to a flail mower or mulcher with the benefit of considerably reduced maintenance and running costs.

Another benefit of the Dual Spindle is the volume of work able to be completed with a smaller horsepower as the cutting width is up to 50% more on a dual spindle compared to a single spindle.

## "WOODS ARE WELL BUILT MACHINES."

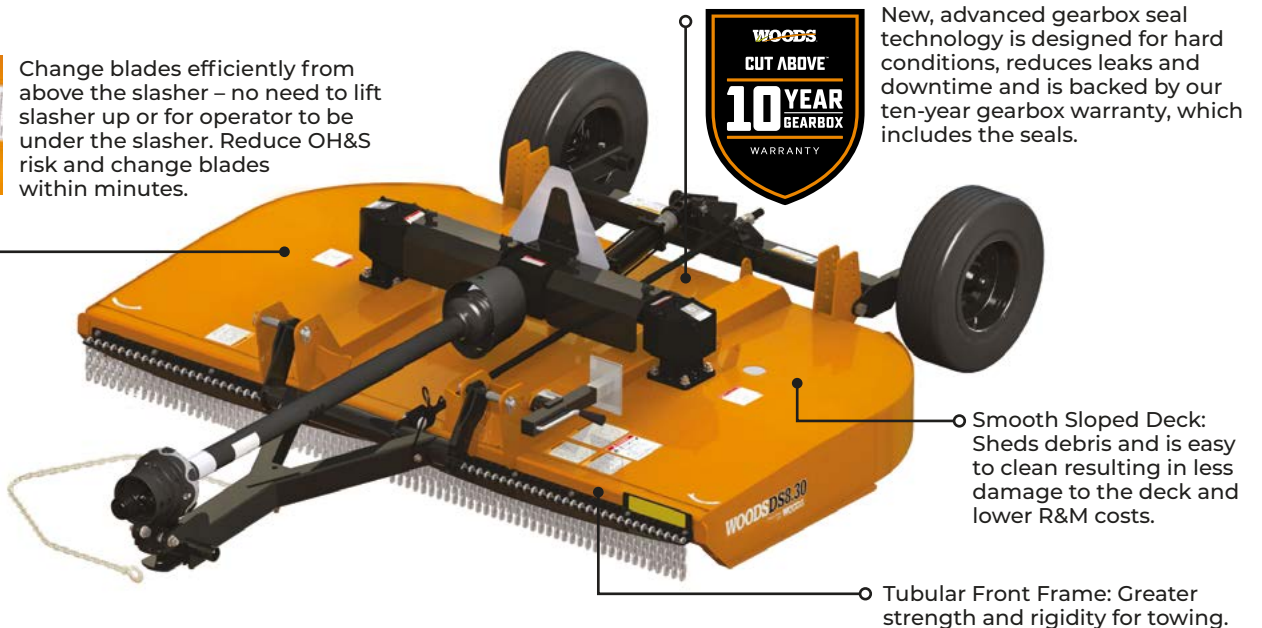
**Mark Taylor**  
Orchardist & Woods Owner

### BENEFITS OF A DUAL SPINDLE SLASHER

- Comparable output to a flail mower or mulcher with the benefit of considerably reduced maintenance costs and reduced running costs.
- Increased volume of work being able to be completed with a lower HP tractor as the cutting width is 50% more on a dual spindle compared to a single spindle.



Change blades efficiently from above the slasher – no need to lift slasher up or for operator to be under the slasher. Reduce OH&S risk and change blades within minutes.



**DUAL SPINDLE FEATURE ANALYSIS**



**Quick Change Blade Pins**

Quick Change blade pin system allows operator to change blades within a couple of minutes with light hand tools – no oxy required.



**Change Blades From Above Machine**

Change blades efficiently from above the slasher – no need to lift slasher up or for operator to be under the slasher. Reduce OH&S risk and change blades within minutes.



**Cushioned Flex Driveline Connector**

Cushioned Flex Driveline Connector will soften the blow if an obstruction is hit during operation and will return heads to the timed position.



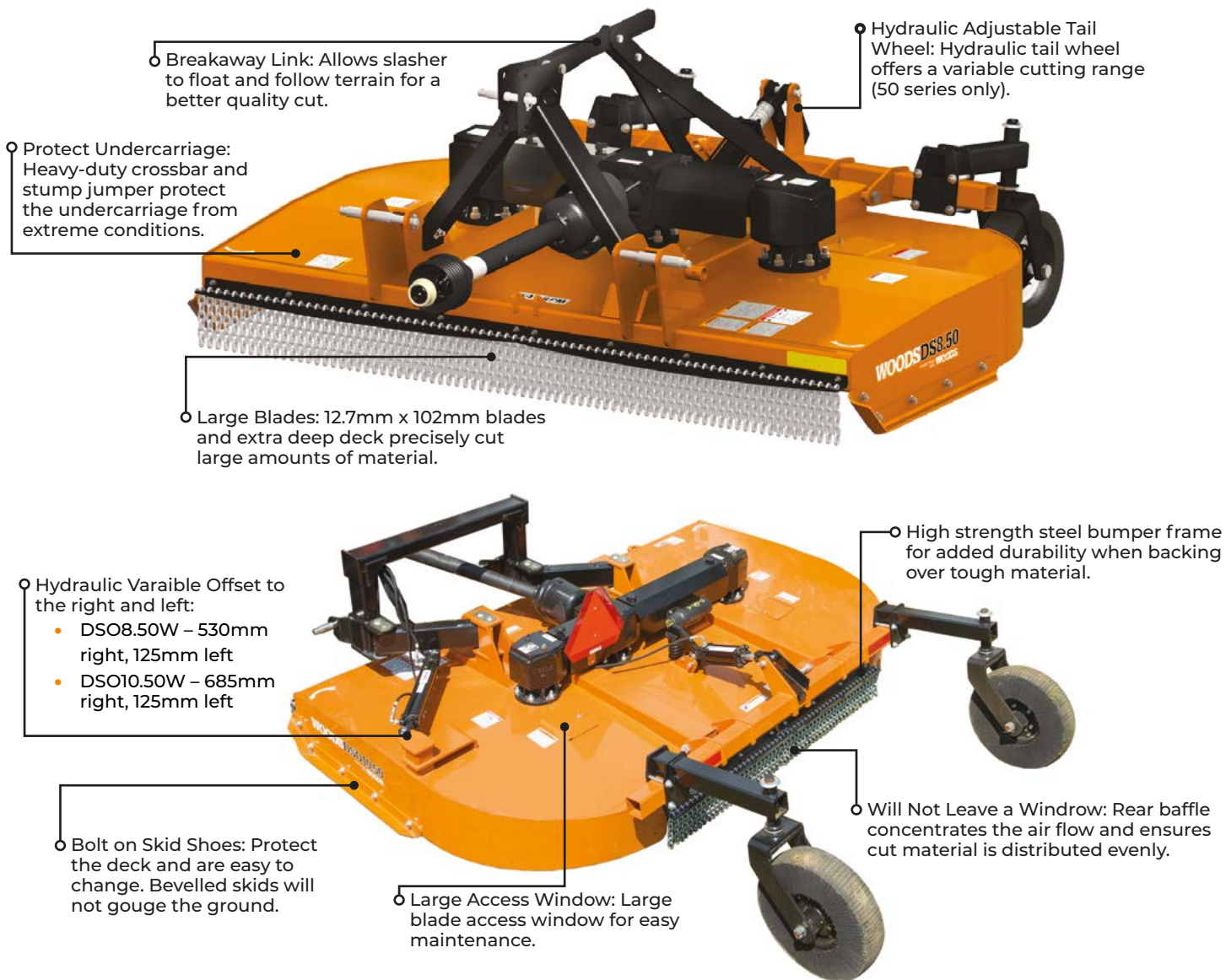
**Large Clearance**

Large slasher clearance allows for large volumes of material to be cut without choking and use less horsepower and fuel.



**No Windrows**

No Woods slasher leaves a windrow, allowing for superior management of pasture and regrowth. Even discharge eliminates the risk of a large piles of material being left behind.



○ Breakaway Link: Allows slasher to float and follow terrain for a better quality cut.

○ Hydraulic Adjustable Tail Wheel: Hydraulic tail wheel offers a variable cutting range (50 series only).

○ Protect Undercarriage: Heavy-duty crossbar and stump jumper protect the undercarriage from extreme conditions.

○ Large Blades: 12.7mm x 102mm blades and extra deep deck precisely cut large amounts of material.

○ Hydraulic Variable Offset to the right and left:

- DSO8.50W – 530mm right, 125mm left
- DSO10.50W – 685mm right, 125mm left

○ High strength steel bumper frame for added durability when backing over tough material.

○ Bolt on Skid Shoes: Protect the deck and are easy to change. Bevelled skids will not gouge the ground.

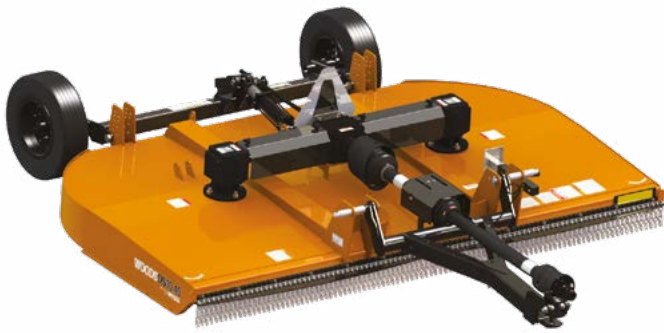
○ Will Not Leave a Windrow: Rear baffle concentrates the air flow and ensures cut material is distributed evenly.

○ Large Access Window: Large blade access window for easy maintenance.

# 30/40 Dual Spindle Slasher Series

## Standard Duty Dual Spindle Slashers

The Woods Standard-Duty Dual Spindle Slasher Series are perfect for tractors with up to 80hp (30 series) and 100hp (40 series) tractor PTO horsepower. With a cutting capacity of 38mm (30 series) and 50mm (40 series) diameter material, the Dual Spindle Standard-Duty Series is ideal for topping clean paddocks, maintaining fence lines or in an orchard.



Tractor PTO HP Range:

**35 - 80hp**

Models

**DS8.30W | 2.4m (8') - Drawbar**

**MDS8.30W | 2.4m (8') - Linkage**

- 100hp splitter gearbox, 75hp blade gearbox
- Cat 4 input driveline with slip clutch protection
- 50mm - 300mm cutting height range
- 250mm deck depth
- 10-year gearbox warranty including seals

Tractor PTO HP Range:

**40 - 100hp**

Models

**DS10.40W | 3m (10') - Drawbar**

**MDS10.40W | 3m (10') - Linkage**

- 120hp splitter gearbox, 90hp blade gearbox
- Cat 4 input driveline with slip clutch protection
- 50mm - 300mm cutting height range
- 250mm deck depth
- 10-year gearbox warranty including seals

**"I WOULDN'T BUY ANYTHING ELSE. I AM ACHIEVING A 150% PRODUCTIVITY INCREASE WITH WOODS. CUTTING MORE GRASS IN LESS TIME USING LESS FUEL."**

**Mark Lavery**

Contractor & Woods Owner

SPECIFICATIONS		STANDARD DUTY DUAL SPINDLE SLASHER SERIES			
MODEL	DS8.30W	MDS8.30W	DS10.40W	MDS10.40W	
Tractor PTO Horsepower	35hp - 80hp	45hp - 80hp	40hp - 120hp	50hp - 120hp	
Gearbox Horsepower	100hp Splitter		120hp Splitter		
Blade Spindle	75hp		90hp		
Cutting Width	2.4m (8')		3m (10')		
Cutting Capacity	Up to 38mm		Up to 50mm		
Cutting Height Range	50mm - 300mm				
Weight	625kg	575kg	835kg	770kg	
'Quick Change' Blade Pins	Yes				
Contour Frame Design	Yes				
3 Point Linkage / Drawbar	Drawbar	3 Point Linkage	Drawbar	3 Point Linkage	
Slip Clutch Protection	Cat 4 input driveline with slip clutch protection				
Deck Side Depth	250mm				
Stump Jumper	Yes				
Tip Speed	15,200fpm		16,700fpm		
Blade Size	12.7mm x 101.6mm				
Tail Wheel	25.5 x 8-14 foam filled severe duty ag 20 ply tyres	100mm x 400mm laminated tail wheels with 360° rotation on bushed hub	25.5 x 8-14 foam filled severe duty ag 20 ply tyres	100mm x 400mm laminated tail wheels with 360° rotation on bushed hub	
Front & Rear Chain Shielding	Yes				
Warranty	10 year limited gearbox warranty; 1 year deck warranty				

# Heavy Duty Dual Spindle Slashers

## Heavy Duty Dual Spindle Slashers

The Heavy-Duty Dual Spindle Slasher Series is perfect for tractors with up to 205 PTO horsepower. With a cutting capacity of 75mm diameter material, the Heavy-Duty Dual Spindle series is perfect for slashing paddocks with regrowth, heavier material or for tractors with higher PTO horsepower. Side Throw options available on all Heavy-Duty Dual Spindle Slasher.



Tractor PTO HP Range:

**50 - 160hp**

Models

**DS8.50W | 2.4m (8') - Drawbar**  
**MDS8.50W | 2.4m (8') - Linkage**  
**DS10.50W | 3m (10') - Drawbar**  
**MDS10.50W | 3m (10') - Linkage**

- 205hp splitter gearbox, 160hp blade gearbox
- 75mm cutting capacity
- Hydraulic height adjustment & variable wheel spacing
- Cat 5 driveline with slip clutch protection
- 50mm - 325mm cutting height range
- 10-year gearbox warranty including seals
- Optional: Side Throw
- Optional: Galvanised (MDS/DS8.50 only)

Tractor PTO HP Range:

**80 - 160hp**

Models

**DS12.50W | 3.6m (12') - Drawbar**  
**MDS12.50W | 3.6m (12') - Linkage**

- 205hp splitter gearbox, 160hp blade gearbox
- 75mm cutting capacity
- Hydraulic height adjustment & variable wheel spacing
- Cat 6 driveline with slip clutch protection
- 50mm - 325mm cutting height range
- 10-year gearbox warranty including seals
- Optional: Side Throw



SPECIFICATIONS							HEAVY DUTY DUAL SPINDLE SERIES						
MODEL	DS8.50W		MDS8.50W		DS10.50W		MDS10.50W		DS12.50W		MDS12.50W		
Tractor PTO Horsepower	50hp - 205hp		65hp - 205hp		75hp - 205hp		90hp - 205hp		120hp - 205hp				
Gearbox Horsepower	205hp Splitter												
Blade Spindle	160hp												
Cutting Width	2.4m (8')			3m (10')			3.6m (12')						
Cutting Capacity	Up to 75mm												
Cutting Height Range	50mm - 325mm												
Weight	1,105kg		995kg		1,240kg		1,140kg		1,730kg		1,610kg		
'Quick Change' Blade Pins	Yes												
Contour Frame Design	Yes												
3 Point Linkage / Drawbar	Drawbar		3 Point Linkage		Drawbar		Category 2 or 3, 3 Point Linkage		Drawbar		Category 2 or 3, 3 Point Linkage		
Slip Clutch Protection	Cat 5 driveline with slip clutch protection							Cat 6 driveline with slip clutch protection					
Deck Side Depth	325mm												
Stump Jumper	Yes												
Tip Speed	540rpm – 14,866fpm 1000rpm – 15,126fpm			540rpm – 15,974fpm 1000rpm – 16,232fpm			540rpm – 16,240fpm 1000rpm – 6,487fpm						
Blade Size	12.7mm x 101.6mm, 100mm blade overlap												
Tail Wheel	25.5 x 8-14 foam filled severe duty ag 20 ply tyres		130mm x 400mm laminated tail wheels with 360° rotation; tapered roller bearing in hub with replaceable bushes on pivot shaft		25.5 x 8-14 foam filled severe duty ag 20 ply tyres		130mm x 400mm laminated tail wheels with 360° rotation; tapered roller bearing in hub with replaceable bushes on pivot shaft		25.5 x 8-14 foam filled severe duty ag 20 ply tyres		130mm x 400mm laminated tail wheels with 360° rotation; tapered roller bearing in hub with replaceable bushes on pivot shaft		
Front & Rear Chain Shielding	Yes												
Warranty	10 year limited gearbox warranty; 1 year deck warranty												
Options	Galvanised				-								

# Offset Dual Spindle Slashers

## Heavy Duty Offset Dual Spindle Slashers

The Heavy-Duty Offset Dual Spindle Slasher Series has hydraulic variable offset to the right and left and is available in both 8ft and 10ft options. The DSO8.50W has hydraulic variable offset of 530mm to the right and 125mm to the left. The DSO10.50W has hydraulic variable offset of 685mm to the right and 125mm to the left. The Heavy-Duty Offset Dual Spindle Slasher Series is perfect for slashing around trees, under fence lines and in orchards.



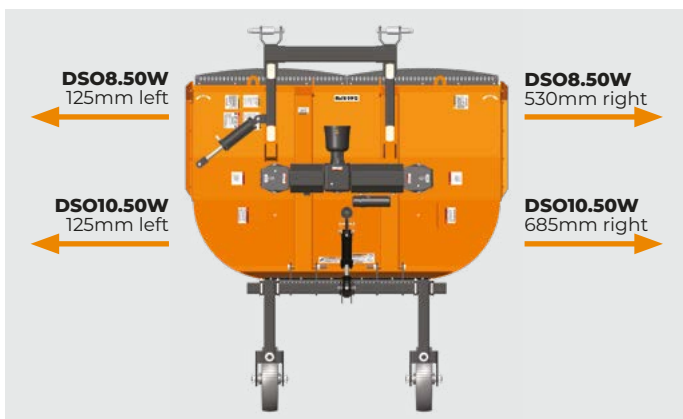
Tractor PTO HP Range:  
**50 - 160hp**

### Models

**DSO8.50W** | 2.4m (8') - Offset Linkage

**DSO10.50W** | 3m (10') - Offset Linkage

- Hydraulic variable offset to the left and right
  - › DSO8.50W - 530mm right / 125mm left
  - › DSO10.50W - 685mm right / 125mm left
- 10-year gearbox warranty including seals
- Optional: Side Throw



SPECIFICATIONS		HEAVY DUTY OFFSET DUAL SPINDLE SERIES	
MODEL	DSO8.50W	DSO10.50W	
Tractor PTO Horsepower	50hp - 205hp	70hp - 205hp	
Gearbox Horsepower	205hp Splitter		
Blade Spindle	160hp		
Cutting Width	2.4m (8')	3m (10')	
Cutting Capacity	Up to 75mm		
Cutting Height Range	50mm - 300mm		
Weight	1,195kg	1,305kg	
'Quick Change' Blade Pins	Yes		
Contour Frame Design	Yes		
3 Point Linkage / Drawbar	Category 2 or 3, 2 Point Linkage		
Slip Clutch Protection	Cat 5 driveline with slip clutch protection		
Deck Side Depth	325mm		
Stump Jumper	Yes		
Tip Speed	540rpm – 15,974fpm 1000rpm – 16,232fpm		
Blade Size	12.7mm x 101.6mm, 100mm blade overlap		
Tail Wheel	130mm x 500mm laminated tail wheels *Hydraulic height control on rear wheels		
Front & Rear Chain Shielding	Yes		
Warranty	10 year limited gearbox warranty; 1 year deck warranty		



**DSO8.50W**

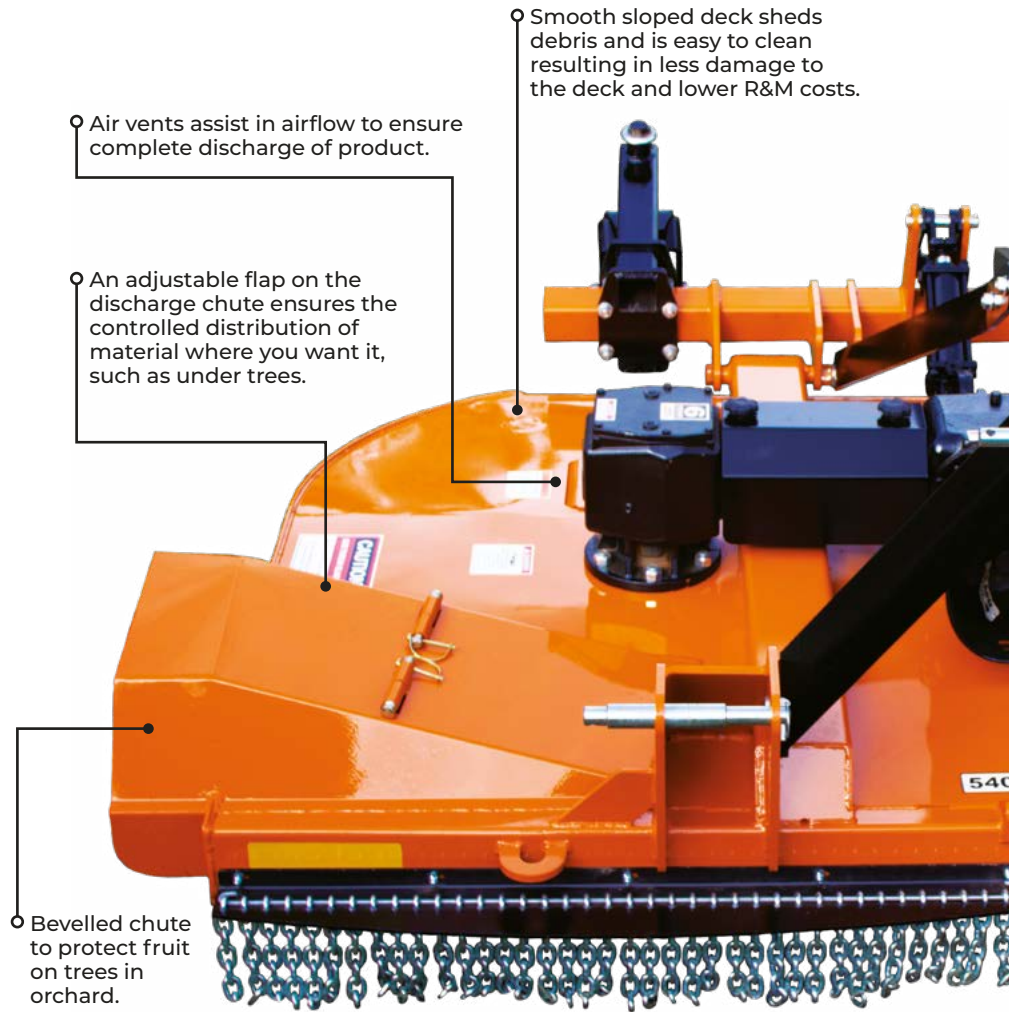
**WOODS**

Find a Woods Dealer | [woodsequipment.com.au](http://woodsequipment.com.au) | (07) 5441 5677

# Side Throw Series

Tried and tested in orchards and paddocks across Australia, the Woods Side Throw slasher is designed to work and its results make it the industry leader for side throw slashers.

- Material won't choke up under machine
- Controlled discharge via adjustable chute
- Throw adjustable to suit variety of row widths
- Won't gauge ground



**MDS8.50W**

Side Throw available on all models

**WHY ARE WOODS SIDE THROWS INDUSTRY LEADERS IN AUSTRALIA?**



**Quick change blade pins**

Quick Change blade pin system allows operator to change blades efficiently from above machine within a couple of minutes with light hand tools – no oxy required.



**High Throw Blade**

The high throw blade will discharge material with total clearance so material does not block up machine.



**Adjustable Flap**

An adjustable flap on the discharge chute ensures the controlled distribution of material where you want it, such as under trees.



**Air Vents**

Air vents assist in airflow to ensure complete discharge of product.



**Anti-Scalp Wheel - Optional**

Optional anti-scalp wheel available to further stabilise machine and prevent gauging.



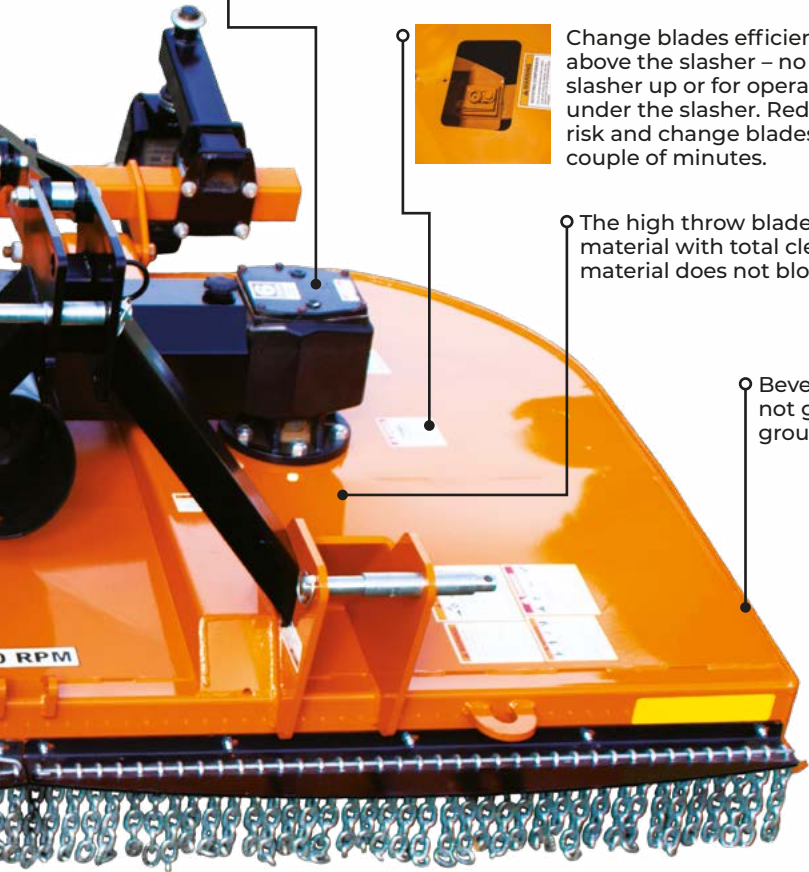
New, advanced gearbox seal technology is designed for hard conditions, reduces leaks and downtime and is backed by our ten-year gearbox warranty, which includes the seals.



Change blades efficiently from above the slasher – no need to lift slasher up or for operator to be under the slasher. Reduce OH&S risk and change blades within a couple of minutes.

The high throw blade will discharge material with total clearance so material does not block up machine.

Bevelled skids will not gouge the ground.



**BENEFITS OF A WOODS SIDE THROW SLASHER**

- Adjustable flap controls discharge to allow mulching under trees and increase efficiency of production and reduce erosion
- Air vent and high lift blades ensure complete discharge of material
- Deck design ensures slasher will not leave a windrow for efficient grass management

**A SLASHER IS NOT JUST A SLASHER**

**"EVEN WHEN SLASHING IN HEAVY MATERIAL NOTHING IS LEFT BEHIND, GIVING MY ORCHARD A MOWER FINISH AND NICELY DISCHARGING MATERIAL UNDER MY TREES."**

**Mark Taylor**  
Orchardist & Woods Owner

SPECIFICATIONS						DU
MODEL	DS8.30W	MDS8.30W	DS10.40W	MDS10.40W	DS8.50W	
Tractor PTO Horsepower	35hp - 80hp	45hp - 80hp	40hp - 120hp	50hp - 120hp	50hp - 205hp	
Gearbox Horsepower	100hp Splitter		120hp Splitter			
Blade Spindle Horsepower	75hp		90hp			
Cutting Width	2.4m (8')		3m (10')		2.4m	
Cutting Capacity	Up to 38mm		Up to 50mm			
Cutting Height Range	50mm - 300mm					
Weight	625kg	575kg	835kg	770kg	1,105kg	
'Quick Change' Blade Pins						
Contour Frame Design						
3 Point Linkage / Drawbar	Drawbar	3 Point Linkage	Drawbar	3 Point Linkage	Drawbar	
Slip Clutch Protection	Cat 4 input driveline with slip clutch protection				Cat 5 in	
Deck Side Depth	250mm					
Stump Jumper						
Tip Speed	15,200fpm		16,700fpm		540rpm - 14 1000rpm - 1	
Blade Size	12.7mm x 101.6mm					
Tail Wheel	25.5 x 8-14 foam filled severe duty ag 20 ply tyres	100mm x 400mm laminated tail wheels with 360° rotation on bushed hub	25.5 x 8-14 foam filled severe duty ag 20 ply tyres	100mm x 400mm laminated tail wheels with 360° rotation on bushed hub	25.5 x 8-14 foam filled severe duty ag 20 ply tyres	
Front & Rear Chain Shielding						
Warranty						10 year lim
Options	Galvanised					

**AL SPINDLE SLASHER SERIES**

MDS8.50W	DS10.50W	MDS10.50W	DS12.50W	MDS12.50W	DSO8.50W	DSO10.50W
65hp - 205hp		75hp - 205hp	90hp - 205hp	120hp - 205hp	50hp - 205hp	70hp - 205hp
205hp Splitter						
160hp						
(8')	3m (10')		3.6m (12')		2.4m (8')	3m (10')
Up to 75mm						
50mm - 325mm					50mm - 300mm	
995kg	1,240kg	1,140kg	1,730kg	1,610kg	1,195kg	1,1305kg
Yes						
Yes						
3 Point Linkage	Drawbar	Category 2 or 3, 3 Point Linkage	Drawbar	Category 2 or 3, 3 Point Linkage	Category 2 or 3, 2 Point Linkage	
input driveline with slip clutch protection			Cat 6 input driveline with slip clutch protection		Cat 5 input driveline with slip clutch protection	
325mm						
Yes						
8,866fpm 5,126fpm	540rpm - 15,974fpm 1000rpm - 16,232fpm		540rpm - 16,240fpm 1000rpm - 6,487fpm		540rpm - 15,974fpm 1000rpm - 16,232fpm	
12.7mm x 101.6mm, 100mm blade overlap						
130mm x 400mm laminated tail wheels with 360° rotation; tapered roller bearing in hub with replaceable bushes on pivot shaft	25.5 x 8-14 foam filled severe duty ag 20 ply tyres	130mm x 400mm laminated tail wheels with 360° rotation; tapered roller bearing in hub with replaceable bushes on pivot shaft	25.5 x 8-14 foam filled severe duty ag 20 ply tyres	130mm x 400mm laminated tail wheels with 360° rotation; tapered roller bearing in hub with replaceable bushes on pivot shaft	130mm x 500mm laminated tail wheels with 360° rotation; tapered roller bearing in hub with replaceable bushes on pivot shaft *Hydraulic height control on rear wheels	
Yes						
limited gearbox warranty; 1 year deck warranty						
Side Throw						



1137 Nambour Connection Rd, Parklands QLD 4560

(07) 5441 5677

[woodsequipment.com.au](http://woodsequipment.com.au)  
[tisca.com.au](http://tisca.com.au)

## WOODS

Warning! Some images may show safety shields removed to provide a better view. Equipment should never be operated with any safety shield removed. Some machines in this brochure may be shown with optional equipment. Always operate machines in accordance with supplied operator's manuals. ©2023 Woods Equipment Company. All rights reserved. WOODS and Woods logo are trademarks of Woods Equipment Company. All other trademarks, trade names, or service marks not owned by Woods Equipment Company that appear in this brochure are the property of their respective companies or mark holders. Specifications subject to change without notice.